

MRH Knee System

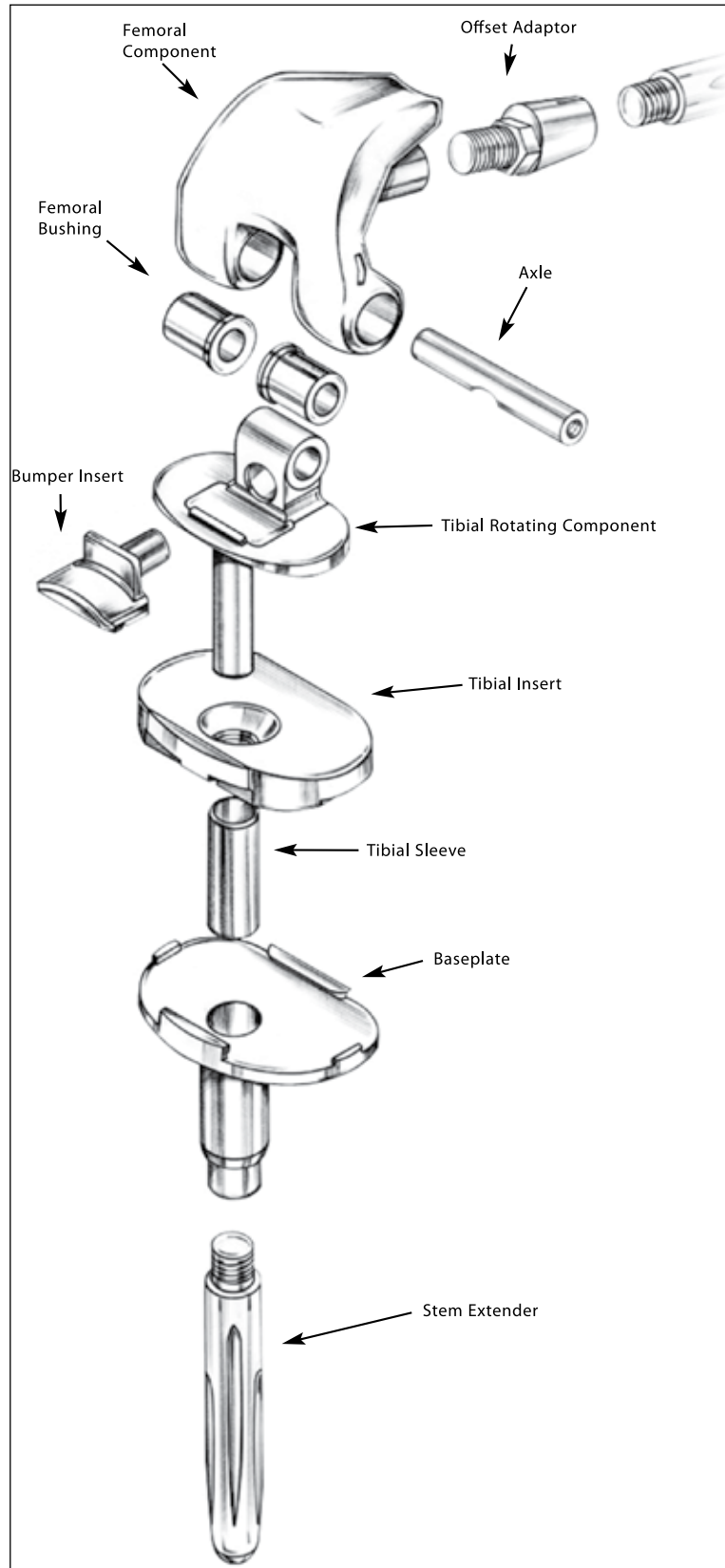
Meeting the challenge

The Modular Rotating Hinge Knee has a pedigree founded on the Kinematic Rotating Hinge which was first introduced in 1979.

A comprehensive solution for cases of gross ligament instability and bone loss, where the cruciate and collateral ligaments are absent or do not stabilize the joint.

The Modular Rotating Hinge Knee is designed to provide:

- Varus/valgus stability throughout the range of motion
- Internal/external rotation about the tibial axis, constrained by the bearing surface radius on the tibial rotating component
- An extensive range of size, modularity and resection options.



MRH Knee System

Being prepared

The implant system comprises:

- 5 sizes of femoral component

- 4 sizes of tibial baseplate

- 5 thicknesses of DURATION® Stabilized Polyethylene tibial inserts up to a maximum of 24mm

- Variety of patellar sizes and styles

- Bumper insert available in neutral and 3° flexion options

- Tibial Augmentation; 5mm and 10mm blocks and angled wedges

- Femoral Augmentation;
- 10mm blocks

- Stem Extender options to address a variety of approaches for IM fixation;
- Diameters 10mm-23mm in lengths 80mm and 155mm.
- Cobalt-chromium Cemented, Cobaltchromium Press-fit, and Titanium Fluted Press-fit Stem Extenders.
- Interchangeable stems for use with both femoral and tibial components, minimizing operating room inventory.
- Offset stem adapter option for optimal positioning of femoral component.

Clinical Features and Benefits include:

- Rotational motion about the tibial axis to reduce stresses at the cement bone interfaces while providing optimum stability through the bearing surface radius on the rotating component

- Unrestricted internal/external rotation to avoid impact of abrupt stop

- Comprehensive quick assembly trialing system

- Seamless integration with Stryker primary knees through common bone cuts and Monogram® instrumentation

